



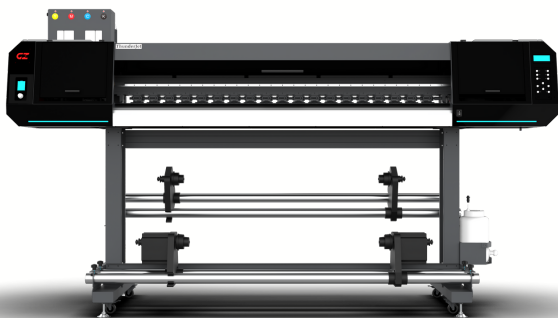
COLORES

Authorized Sales Partner for Gongzheng Group Printers in Europe

COLORESX

RTR UV Solutions

By Konica & Epson Heads

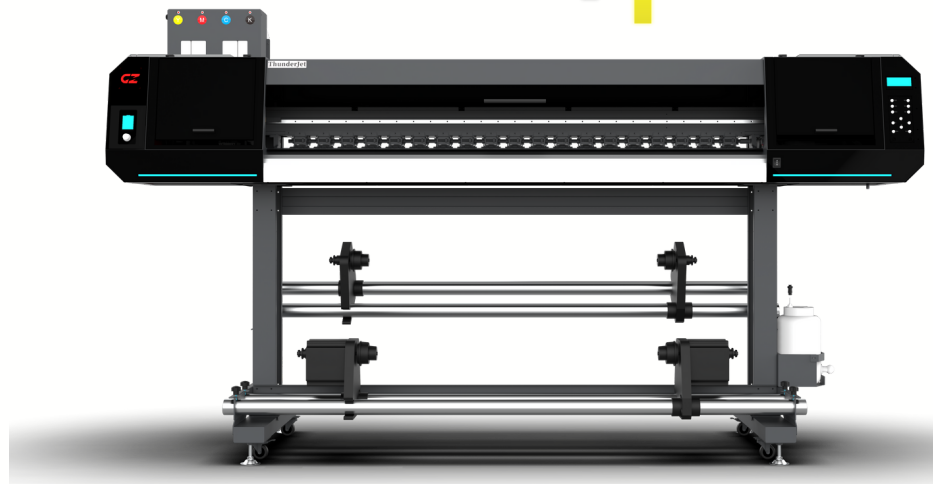


RTR UV Solutions

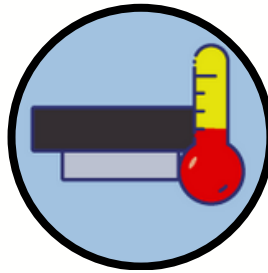
ThunderJet AQ1602UV

Applications:

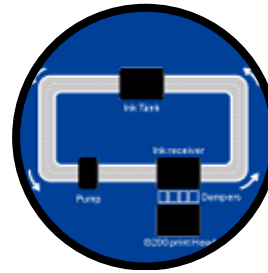
- ✓ Banner
- ✓ Coated PP
- ✓ Vinyl
- ✓ Backlit textile
- ✓ PVC Film
- ✓ PET film, etc.



Epson I3200
Natural 600dpi



Water cooling platen



White ink
recirculation system



Anti-collision unit



Adjustable stepping system



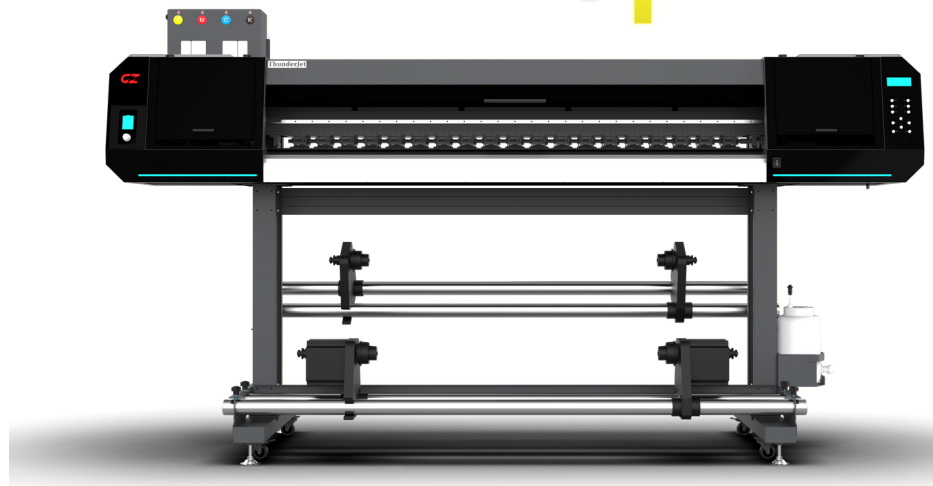
Intelligent Heating System

RTR UV Solutions

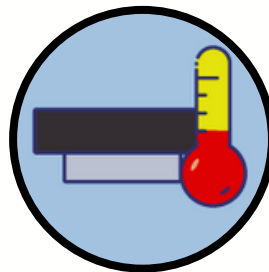
ThunderJet AQ1602UVZ

Applications:

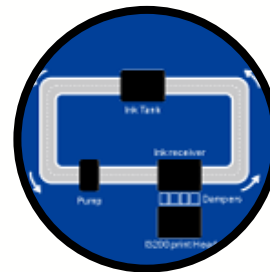
- ✓ Banner
- ✓ Coated PP
- ✓ Vinyl
- ✓ Backlit textile
- ✓ PVC Film
- ✓ PET film, etc.



Multi-layer printing



Water cooling platen



White ink recirculation system



Anti-collision unit



Adjustable stepping system



Intelligent Heating System

RTR UV Solutions

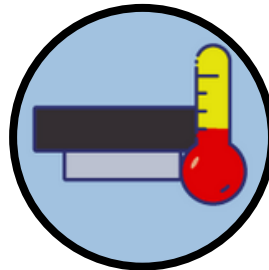
ThunderJet AQ1800UV

Applications:

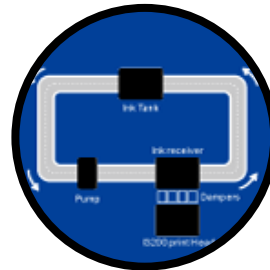
- ✓ Banner
- ✓ Coated PP
- ✓ Vinyl
- ✓ Backlit textile
- ✓ PVC Film
- ✓ PET film



Multi-layer printing



Water cooling platen



White ink
recirculation system



Anti-collision unit



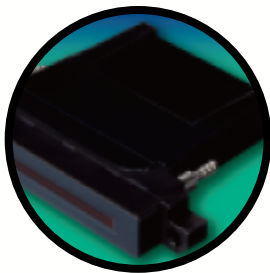
Capping & Wiping system

RTR UV Solutions

GZM32KM PRO

Applications:

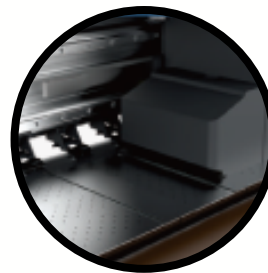
- ✔ Backlit
- ✔ Banner
- ✔ Canvas
- ✔ Backlit Film
- ✔ Reflective Film
- ✔ Tarpaulin
- ✔ Backlit Textile
- ✔ Vinyl
- ✔ Wall Coverings
- ✔ PP, PET



Konica 1024i/1024a
print heads



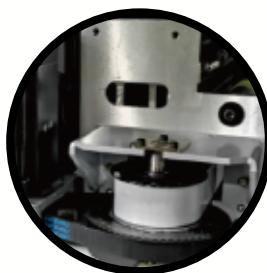
Negative Pressure System



LED UV lamp &
Anti-collision unit



Triple Pinch Rolls
Take-up



Durable 400W AC servo
system



Water cooling system



COLORESX

Contact Us



 coloresx@coloresx.com

 +34 603 11 77 26